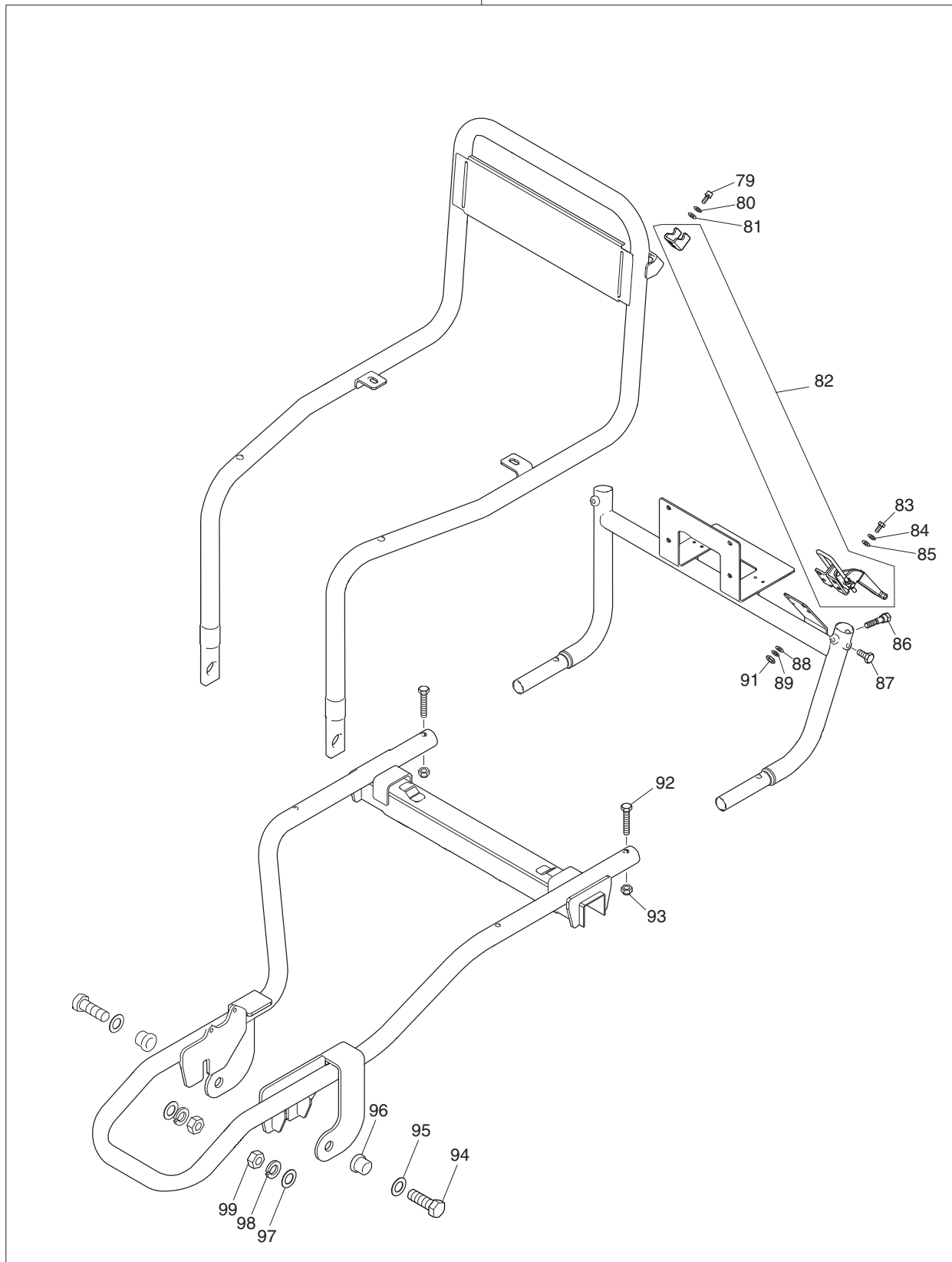


15



PARTS LIST

Item No	Type	Part No	Description	Qty	Unit
001	1	161640-0	HANDLE COMPLETE	2	PC.
002		161648-4	BRAKE ASSEMBLY	1	PC.
002	INC.		Item No. 90		
003		266130-9	TAPPING SCREW BIND PT 3X16	5	PC.
004		183G32-5	SWITCH BOX SET	1	PC.
005		457633-6	SWITCH LEVER	1	PC.
006	2	265A97-4	H.S.H.BOLT M5X16 WITH WR	2	PC.
007		346249-1	PIPE CLAMP 28	2	PC.
008		233540-5	TORSION SPRING 11	1	PC.
009		144521-3	SWITCH PLATE COMPLETE	1	PC.
009	INC.	812S78-3	SWITCH LABEL	1	PC.
011		650781-2	SWITCH C3JW-6B-P	1	PC.
012		251595-8	HEX.BOLT M8X20	2	PC.
013		687410-4	BAND	2	PC.
014		942201-3	SPRING WASHER 8	2	PC.
015	2	126905-7	* FRAME ASSEMBLY	1	PC.
015	2	INC.	* Item No. 79-85, 88, 89, 91,,94-99		
016		253852-0	FLAT WASHER 8	2	PC.
017		699095-4	POWER SUPPLY CORD UNIT	1	PC.
018		812S79-1	MAKITA LOGO LABEL	1	PC.
019	2	127092-5	REAR TIRE ASSY WITH STOPPER	1	PC.
019	2	INC. 921467-8	HEX. BOLT M8X45	1	PC.
019	2	INC. 252105-4	HEX. LOCK NUT M8-13	1	PC.
019	2	INC. 161868-0	TIRE 260 WITH STOPPER	1	PC.
019	2	INC. 161836-3	JOINT	1	PC.
020		347278-7	GUARD R	1	PC.
021		422151-3	PACKING	1	PC.
024	2	127092-5	REAR TIRE ASSY WITH STOPPER	1	PC.
024	2	INC. 161836-3	JOINT	1	PC.
024	2	INC. 161868-0	TIRE 260 WITH STOPPER	1	PC.
024	2	INC. 921467-8	HEX. BOLT M8X45	1	PC.
024	2	INC. 252105-4	HEX. LOCK NUT M8-13	1	PC.
025	2	265A97-4	H.S.H.BOLT M5X16 WITH WR	8	PC.
026		347238-9	CLAMP A	2	PC.
027		347239-7	CLAMP B	2	PC.
028		347394-5	* PLATE - No longer used	2	PC.
029		687849-1	BAND	5	PC.
030		319594-7	LIGHT CASE	2	PC.

Item No	Type	Part No	Description	Qty	Unit
031		213656-2	O RING 53	2	PC.
032		457636-0	REFLECTOR	2	PC.
033		457634-4	LENS	2	PC.
034		213604-1	O RING 50	2	PC.
035		457635-2	COVER	2	PC.
036		422166-0	PACKING	1	PC.
037		620685-2	LED CIRCUIT	2	PC.
038		687123-7	STRAIN RELIEF	3	PC.
039		266034-5	TAPPING SCREW CT 4X16	6	PC.
040		319595-5	LIGHT CASE COVER	2	PC.
041		266034-5	TAPPING SCREW CT 4X16	8	PC.
042		347279-5	GUARD L	1	PC.
043	1	922328-5	H.S.H.BOLT M6X18 WITH WR	2	PC.
043	2	265A98-2	H.S.H.BOLT M6X18 WITH WR	2	PC.
044		161641-8	BRAKE CALIPER ASSEMBLY	1	PC.
045		347208-8	BRAKE DISC	1	PC.
046		161638-7	SNAP IN VALVE	1	PC.
047	1	126590-6	* WHEEL	1	PC.
047	1	INC. BF00000001	HEX. SOCKET BUTTON BOLT M5X8	6	PC.
047	1	INC. BF00000002	HEX. NUT M16	2	PC.
047	1	INC. BF00000003	FLAT WASHER	2	PC.
047	2	126904-9	* WHEEL	1	PC.
047	2	INC. BF00000001	HEX. SOCKET BUTTON BOLT M5X8	6	PC.
047	2	INC. BF00000003	FLAT WASHER	2	PC.
047	2	INC. BF00000002	HEX. NUT M16	2	PC.
048	2	127081-0	* FRONT TIRE ASSEMBLY	1	PC.
048	2	INC.	* Item No. 46,47,52		
050	2	232605-0	CONED DISC SPRING 16	2	PC.
051	2	253470-4	FLAT WASHER 17	2	PC.
052		422159-7	FRONT TIRE 430	1	PC.
053		457625-5	LEVER 25	1	PC.
054		213005-3	O RING 5	1	PC.
055		213078-6	O-RING 10	1	PC.
056		816M70-5	INDICATION LABEL	1	PC.
057		816M10-3	CAUTION LABEL	1	PC.
058		632K49-4	LEAD UNIT	1	PC.
059		699096-2	POWER SUPPLY CORD UNIT	1	PC.
059		INC. 688162-0	LINE FILTER	2	PC.
059		INC. 682576-5	GROMMET	1	PC.

Item No	Type	Part No	Description	Qty	Unit
060		853S84-9	NAME PLATE F/DCU180	1	PC.
061		266130-9	TAPPING SCREW BIND PT 3X16	2	PC.
062		457629-7	TERMINAL HOLDER	1	PC.
063		232267-4	LEAF SPRING	2	PC.
064	1	620675-5	CONTROLLER	1	PC.
065		135934-9	BATTERY BOX ASSY	1	PC.
065	INC.		Item No. 53-55		
066		643874-2	TERMINAL	2	PC.
067		144519-0	CENTER CASE COMPLETE	1	PC.
067	INC.	263005-3	RUBBER PIN 6	4	PC.
068		266130-9	TAPPING SCREW BIND PT 3X16	5	PC.
069		632K50-9	LEAD UNIT	1	PC.
070		144520-5	SUB CONTROLLER COMPLETE	1	PC.
071		620684-4	BUZZER CIRCUIT	1	PC.
072		457630-2	COVER	1	PC.
073		651534-2	SWITCH 1934.3112B	1	PC.
074		687123-7	STRAIN RELIEF	3	PC.
075		266326-2	TAPPING SCREW 4X18	6	PC.
076		457628-9	FRONT COVER	1	PC.
077		266130-9	TAPPING SCREW BIND PT 3X16	8	PC.
078	2	265A96-6	H.S.H.BOLT M5X14 WITH WR	4	PC.
079		TR00000069	HEX.SOCKET HEAD BOLT M5X14	2	PC.
080		942101-7	SPRING WASHER 5	2	PC.
081		941101-4	FLAT WASHER 5	2	PC.
082		TR00000067	LOCK LEVER	1	PC.
083		TR00000068	HEX.BOLT M5X16	4	PC.
084		942101-7	SPRING WASHER 5	4	PC.
085		941101-4	FLAT WASHER 5	4	PC.
086		251594-0	SHOULDER HEX. BOLT M8X40	2	PC.
087		251595-8	HEX.BOLT M8X20	2	PC.
088		941101-4	FLAT WASHER 5	4	PC.
089		942101-7	SPRING WASHER 5	4	PC.
090		144700-3	BRAKE CABLE	1	PC.
091		931202-6	HEX. NUT M5	4	PC.
092		921467-8	HEX. BOLT M8X45	2	PC.
093		252105-4	HEX. LOCK NUT M8-13	2	PC.
094		TR00000070	HEX.BOLT M16X50	2	PC.
095		TR00000073	FLAT WASHER 17	2	PC.
096		326968-5	SLEEVE 17	2	PC.

Item No	Type	Part No	Description	Qty	Unit
097		TR00000073	FLAT WASHER 17	2	PC.
098		TR00000072	SPRING 16	2	PC.
099		TR00000071	HEX.NUT M16-24	2	PC.
100	2	941102-2	* FLAT WASHER 5	6	PC.
101	2	253377-4	* FLAT WASHER 17	1	PC.
A01		144675-6	SUPPORT FOOT	2	PC.
A02		455588-9	WIRE CLAMP	2	PC.
A03		643890-4	KEY	1	PC.
A04	2	781039-9	WRENCH 13	2	PC.
A05		198494-2	BUCKET TRAY (Parts breakdown available)	1	PC.
A06		199116-7	FLATBED TRAY (Parts breakdown available)	1	PC.
C01		820N64-0	CARTON F/DCU180Z	1	PC.
D01		654510-5	INSULATED CONNECTOR 5.5-SD	6	PC.

SERVICE CHANGES

1. Change of Frame assembly and Front tire assembly.

(T/I#C2897)

Item No.	Description	Type 1	Type 2	
15	Frame Assy	126589-1	126905-7	
22	HSH Bolt M10x25	266240-2	---	
28	Plate	347394-5	---	
23	Flat Washer 10	941251-5	---	
48	Front tire assy	126734-8	127081-0	
47	Wheel	126590-6	126904-9	Component of Item No. 48
100	Flat Washer 5	---	941102-2	
101	Flat Washer 17	---	253377-4	

Above parts are completely interchangeable as a set.

Type 2 implementation from Serial# 16814~